

APT-UniLatch APARTMENT COMPACTOR

Wastequip's Apartment Compactor offers powerful compaction for small spaces.

The APT-UniLatch Apartment Compactor is designed to fit in areas where space is limited, like trash rooms in high-rise buildings and apartment complexes. It features a crossed-cylinder mini-design with totally automatic operation. The Apartment Compactor saves money by minimizing the overall cost, pick-up frequency, and labor hours associated with standard containers.

Space Maximizing Design

- Small and powerful and designed to fit in trash rooms with limited space
- Model is half a foot shorter than the leading competitor; at only 38-1/2" long, it saves valuable work space

Standard Features (included at no additional charge)

- Automatic cycle operation
 - Photo electric eye senses trash and starts compaction into container (**laser eye optional addition at extra charge**)
 - Automatic shut-off after cycle
 - Full container light on panel illuminates when compactor is full
- Ground-loading access door
- Easy-to-use single-side attachment is ideal for tight spaces
- 6" of ram penetration results in less spillage and cleanup as compared to other 4" penetration models
- Powerful 5 hp motor
- NEMA 4 control panel protects against wind-blown dust, splashing water and hose-directed water (superior to NEMA 3 models)
- Large, clear top opening accommodates bulky items
- Greasable fittings
- Streamlined control panel for simple operations
- Updated lock design for ease-of-use

Warranty

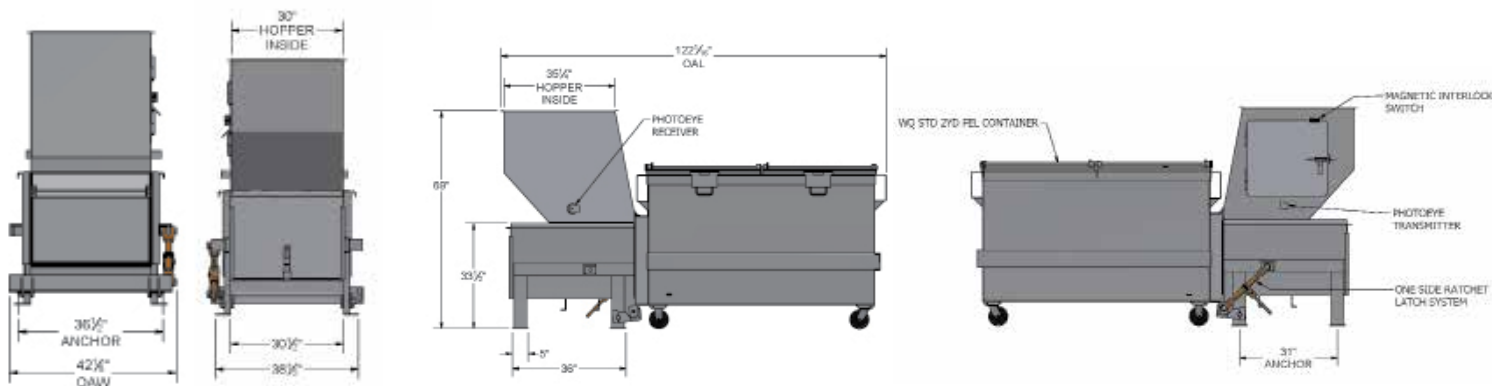
- 3-1-1 warranty (three-year structural, one-year parts, and one-year labor warranty)

Perfect for side-feed, rear-feed, or chute-feed applications.

Shown without compaction container. Containers available in 2 and 3 cubic yard sizes.



APT-UniLatch APARTMENT COMPACTOR



Specifications

Charge Box	Wastequip rating	0.33 cubic yards
	Wastec rating	0.23 cubic yards
	Charge box width	29.75"
	Charge box length	22.00"
Ram	Height	16.75"
	Ram penetration	6.00"
	Face plate	1/2"
	Base plate	3/8"
	Top plate	3/8"
	Side plates	1/4"
Weight	Compactor	1,480 lbs.
	2-Yard Container	950 lbs.
	3-Yard Container	1,110 lbs.
Hydraulic Performance	Normal ram face pressure	28.8 psi
	Maximum ram face pressure	33.9 psi
	Normal packing pressure	1,700 psi
	Maximum packing pressure	2,000 psi
	Normal packing force	14,350 lbs.
	Maximum packing force	16,800 lbs.

Compactor Head	Floor	3/8"
	Steel sides	1/4" with 4" reinforcing channel stiffeners
	Top rail	1/4" formed steel cross member adds stiffness
	Bottom rail	1/4" formed channel cross member for stiffness
	Breaker bar	4 x 4 x 1/2" angle steel
	Top deck cover	Formed 1/4" steel for strength (cover is standard)
Electrical	Electric motor	5 hp
	Motor RPM	1,800
	Voltage	208/230/460, 3 phase, 60 HZ
	Options	575 volts
	Housing type	TEFC (Totally Enclosed Fan Cooled)
	Control circuit	24V
	Control panel	UL Rated
Hydraulic Specifications	Pump	4.7 gpm
	Cycle time	18 seconds
	Hydraulic cylinder	Two, scissor style
	Cylinder bore	2.5"
	Cylinder rod	1.375"
	Cylinder stroke	20.00"
	Hydraulic oil tank	13-gallon reservoir
	Power unit location	Remote



Replacement parts available online at www.wastebuilt.com

Standard Color Choices



Colors shown are as accurate as printing allows. The actual color is subject to variation from the printed color sample. Color choices vary by plant location. Please contact your local sales representative for available colors. Custom colors are available upon request and are subject to an additional charge.



Tel: 877.468.9278 | sales@wastequip.com | www.wastequip.com

Wastequip is the leading North American manufacturer of waste and recycling equipment for collecting, processing, and transporting recyclables and solid or liquid waste. © Wastequip. All rights reserved. Specifications subject to improvement without notice. Equipment displayed should be operated by properly trained personnel. Operators should become familiar with OSHA, ANSI, and any other applicable standards or laws for using this equipment. Improper use, misuse, or lack of maintenance could cause injury to people and/or property. Photos used in the literature are illustrative only. We assume no liability or responsibility for proper training/operation of equipment not manufactured by Wastequip. We reserve the right to make changes at any time without notice. Information contained within this literature is intended to be the most accurate available at time of printing.