



VACUUM CONTAINERS



Available in 20- and 25-cubic yard capacities with multiple configurations.

Wastequip vacuum containers safely handle and store hazardous and non-hazardous wet or dry waste, including oil, sludge, slurry, ash, mud, chemicals, and other environmentally-damaging materials. They're ideal for the oil and gas, pulp and paper, mining, automotive, power plant, and steel mill industries. By holding up to 300% more volume than vacuum trucks, Wastequip vacuum containers save valuable time and money.

VACUUM CONTAINERS

- Hold up to 300% more volume than a typical 5-cubic-yard truck
- Safely handle oils, sludge, chemicals and other environmentally-damaging materials
- Fully-gasketed door is quality-tested against leakage
- Grease fittings on all working points
- One-year warranty



A vacuum truck bypasses its tank and pumps straight into the vacuum container, keeping the vacuum truck at the site working while vacuum containers are filled and hauled away.

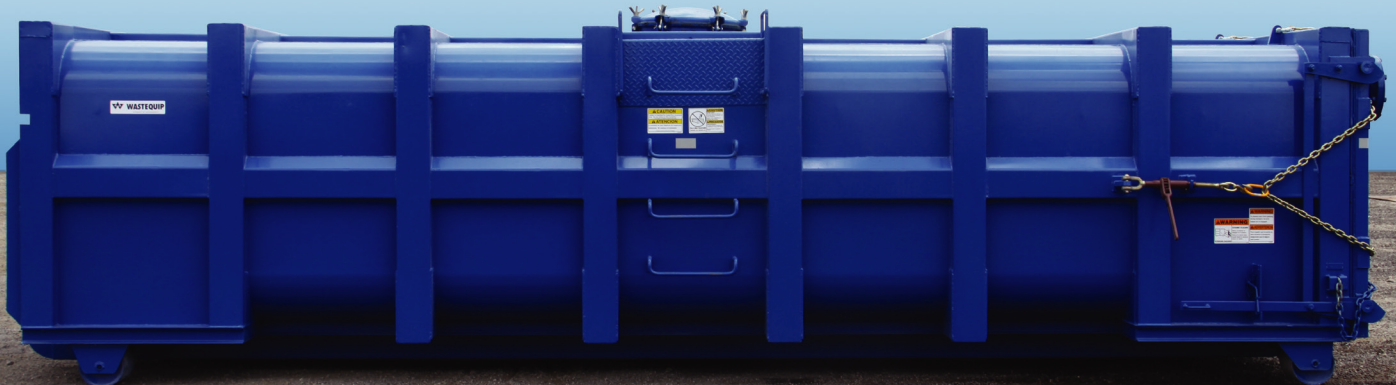
VALUE-ADDED BENEFITS

DURABLE

- Outside rail under-structure
- 1/4" floor, 7-gauge sides
(Also available with 1/4" floor, 1/4" sides)
- 6" x 2" x 1/4" tubing long sills
- Continuous inside welds
- 8-5/8" OD front and rear rollers
- Flat front

FULLY SEALED

- Hydro-tested against leakage
- Gasketed rear door provides full seal
- EPDM T door seal
- 4 door ratchets (2 on rear door, one each on sidewall)
- Side-hinged rear door



VACUUM CONTAINERS | MODELS

RADIUS CORNER MODELS



SQUARE CORNER MODELS



SPECIFICATIONS

| | |
|-------------------------------|---|
| CAPACITY | <ul style="list-style-type: none"> • 4,050 gal. (20 cu. yd. model) • 5,050 gal. (25 cu. yd. model) |
| FLOOR PLATE | <ul style="list-style-type: none"> • 1/4", single-piece design |
| FRONT, SIDES, ROOF | <ul style="list-style-type: none"> • 7-gauge, one-piece design |
| ACCESS | <ul style="list-style-type: none"> • 21-1/4" wide man-way centered on roof and accessible by ladder |
| DOOR | <ul style="list-style-type: none"> • 7-gauge with 4" x 3" x 1/4" structural tubing • Door latch side opening, four independent ratchet binders • EPDM extruded one-piece "T" gasket with 1/2" x 1/2" x 1/8" retainer angle |
| RAILS | <ul style="list-style-type: none"> • Front vertical: 6" x 2" x 3/16" rectangular structural tubing • Rails: 6" x 2" x 1/4" structural tubing • Rail extensions: 1-1/4" plate |
| INLET/OUTLET | <ul style="list-style-type: none"> • 8" x 150 lb. flanges, gaskets and 1/4" caps |
| STRUCTURAL | <ul style="list-style-type: none"> • Ribs: 3" x 3" x 7-gauge formed channels • Cross members: 3" x 3" x 7-gauge formed channels, 16" o.c. • Rear posts and header: 6" x 3" x 7-gauge structural tubing |
| ROLLERS | <ul style="list-style-type: none"> • Four 8-5/8" diameter, 8" long |
| WATER TESTED FOR LEAKS | <ul style="list-style-type: none"> • Rated at 27.5 inches of mercury |
| WEIGHT | <ul style="list-style-type: none"> • 8,751 lbs. (20 cu. yd. model)* • 9,470 lbs. (25 cu. yd. model)* |

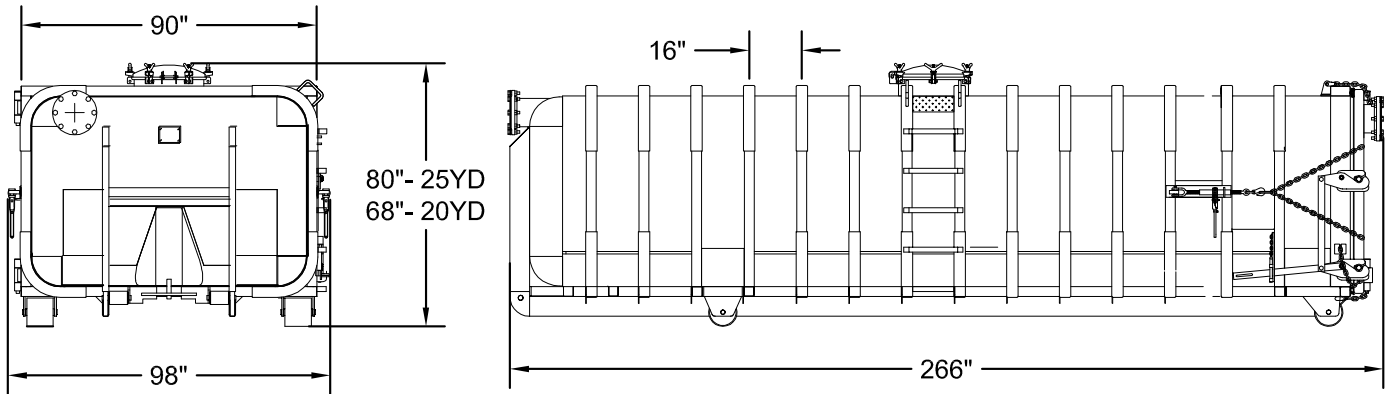
SPECIFICATIONS

| | |
|--|---|
| CAPACITY | <ul style="list-style-type: none"> • 4,050 gal. (20 cu. yd. model) • 5,050 gal. (25 cu. yd. model) |
| FLOOR, SIDES, ROOF & BULKHEAD | <ul style="list-style-type: none"> • 1/4" plate |
| ACCESS | <ul style="list-style-type: none"> • 25" wide man-way centered on roof and accessible by ladder |
| DOOR | <ul style="list-style-type: none"> • 1/4" plate • Fully-gasketed • Side or top hinge (customer specifies) |
| RAILS | <ul style="list-style-type: none"> • Front vertical: 6" x 2" x 3/16" rectangular structural tubing • Rails: 6" x 2" x 1/4" structural tubing • Rail extensions: 1-1/4" plate |
| INLET/OUTLET | <ul style="list-style-type: none"> • 8" x 150 lb. flanges, gaskets and 1/4" caps |
| STRUCTURAL | <ul style="list-style-type: none"> • Channel side and roof stakes: 7-gauge formed • Tubing long sills: 6" x 2" x 1/4" |
| ROLLERS | <ul style="list-style-type: none"> • Four 8-5/8" diameter, 8" long |
| WATER TESTED FOR LEAKS | <ul style="list-style-type: none"> • Rated at 27.5 inches of mercury |
| WEIGHT | <ul style="list-style-type: none"> • 9,800 (20 cu. yd. model)* • 10,550 (25 cu. yd. model)* |

* estimated

VACUUM CONTAINERS | DIMENSIONS

RADIUS CORNER MODELS



SQUARE CORNER MODELS

